

13 800 710



- 200 mm projection
- fixed spout
- circular, air-enriched flow
- hole diameter 40 mm
- 1/2" connection
- plug-link mounting
- max. flow 4.5 l/min
- lead-free

**Codes & standards**

- NSF/ANSI 372

**For Touchfree control please order eSet  
Touchfree WITH or WITHOUT temperature  
adjustment**

For Touchfree control please order eSet Touchfree  
WITH or WITHOUT temperature adjustment

Required miscellaneous

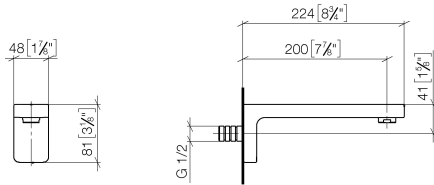
**Concealed adapter**

35 080 970-90  
0010



13 800 710

mm [inches]



Flow rate chart



Codes & Standards

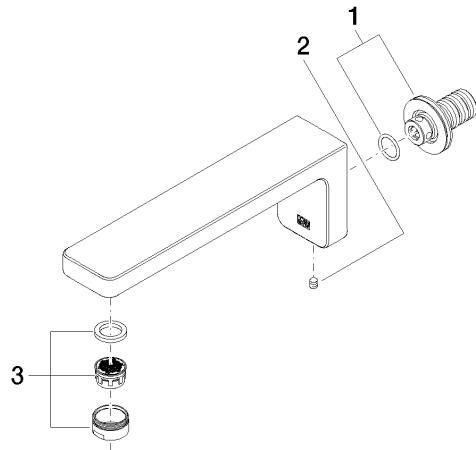
ASME  
A112.18.1/CSA  
B125.1

California Energy  
Commission  
(CEC)

NSF/ANSI 372

NSF/ANSI/CAN  
61

13 800 710



### Spare parts list

No.	Item Number	Name	Quantity used	Delivery time
1	90 24 03 108 00 90	nipple set	1	2
2	04 31 11 004 00 90	pin	1	60
3	90 23 01 118 04-00	aerator	1	10